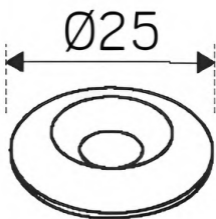
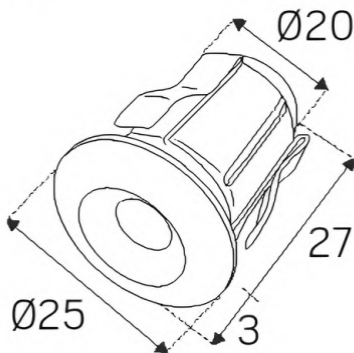
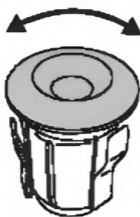


(mm)



Change



*Accessories - Front Ring*