



EOS Zeus / Zeus L HD

Sauna heater for heavy-duty commercial operation. Floor-standing model.

Exclusive premium class floor standing sauna heater for Finnish sauna. Due to its round-shaped design ideal for placement in front of glass walls or in the centre of the sauna.

Copper rails as standard inner wiring make the Zeus HD perfectly suitable for saunas with particularly intensive use.

Your advantages:

- Exclusive round-shaped design with visible rock store
- ~60 kg rock store volume for powerful water splashes and temperature stability
- Heavy-duty version with the internal wiring as massive copper rails
- Long lifetime due to a very robust construction
- Ideal for placement in front of glass or in the centre of the sauna, all sides look alike.
- Luxurious round-shaped guard rail in different high-quality wooden design available
- Available in several designs.
- Connection cables with heavy-duty plugs included.
- Made in Germany quality from EOS.

Specifications:

Housing:	8 mm steel sheet, round shape, in rusty brown, matt black or anthracite pearl effect finish
Rock store cover:	Stainless steel
Base and terminal box:	Stainless steel
Power range:	20, 24, 30 and 36 kW
Power supply:	400 V 3N ~ 50 Hz
Rock store volume:	approx. 60 kg (Sauna stones optionally available)
Dimensions:	Zeus HD: Ø 70 x 125 cm Zeus L HD: Ø 70 x 79 cm
Installation:	Floor-standing



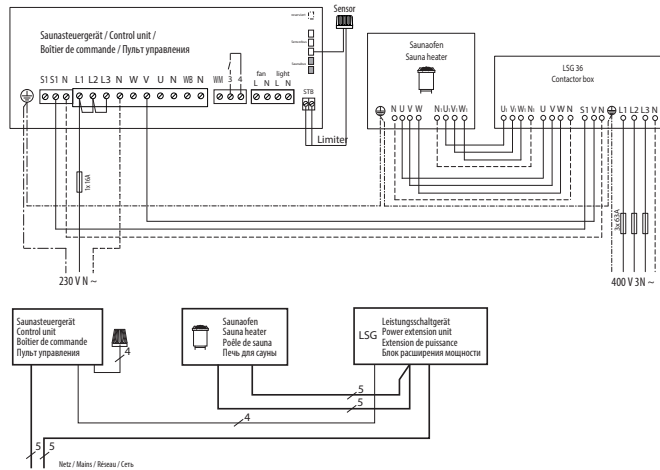
Zeus L HD in anthracite finish
guard rail optional



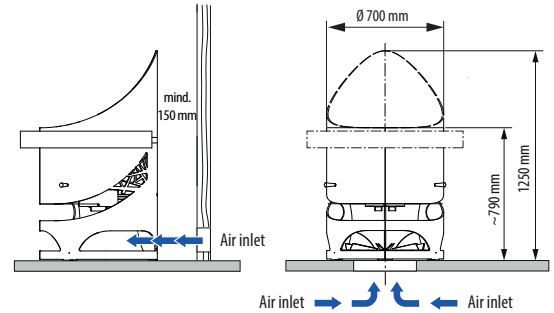
Zeus HD in matt black finish
guard rail optional

Connection diagram

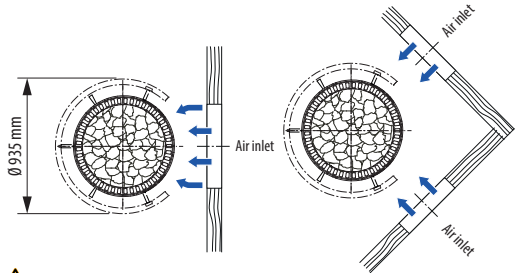
20 / 24 / 30 / 36 kW Connection example with LSG 36



Dimensions



! If the heater is in the middle or in front of a glass wall, make sure that the supply air comes from below! If there is supply air from below, the drip tray can be omitted in case of fireproofed floor.



! If the heater is in front of a wall, make sure that the supply air comes from the side

Further description - see instruction manual

Technical specifications

Power output	Electrical connection	Connection mains - control unit	Connection control unit - heater	Connection mains - LSG	Connection LSG - heater	Connection control unit - LSG unit
20 kW	400 V 3N ~ 50 Hz	5 x 2,5 mm ²	5 x 1,5 mm ²	5 x 4 mm ²	5 x 4 mm ²	4 x 1,5 mm ²
24 kW					5 x 4 mm ²	
30 kW		3 x 1,5 mm ²	--	5 x 10 mm ²	2 pcs 5 x 6 mm ²	
36 kW					5 x 16 mm ²	

All cross sections of a line are minimum diameters in mm² (copper wire).

Spare heating elements

Description	Item no.
For 20,0 kW (12 x 1666 W)	2001 7023
For 24,0 kW (12 x 2000 W)	2001 7022
For 30,0 kW (12 x 2500 W)	2001 7016
For 36,0 kW (12 x 3000 W)	2001 7017

Item no.	Power output	Electrical connection	external Fuse protection control unit	external Fuse protection LSG unit	Dimensions D x H in cm	For sauna cabin size	Min. size of air inlet and outlet	Weight without rocks	Stone filling	Power extension required
94 7837	20,0 kW	400 V 3N ~ 50 Hz	3 x 16 A	3 x 25 A	Ø 70 x 125	24-33 m ³	50 x 8 cm ~Ø 25-30 cm	~140 kg	~60 kg	LSG 36 (2x LSG 18)
94 7838	24,0 kW			3 x 35 A		35-40 m ³				
94 7839	30,0 kW		1 x 16 A	3 x 50 A		50-65 m ³	50 x 10 cm ~Ø 25-30 cm			LSG 36
94 7840	36,0 kW			3 x 63 A		65-75 m ³				