



# EOS Saunadome II

## Sauna heater for domestic and commercial saunas. Floor-standing model.

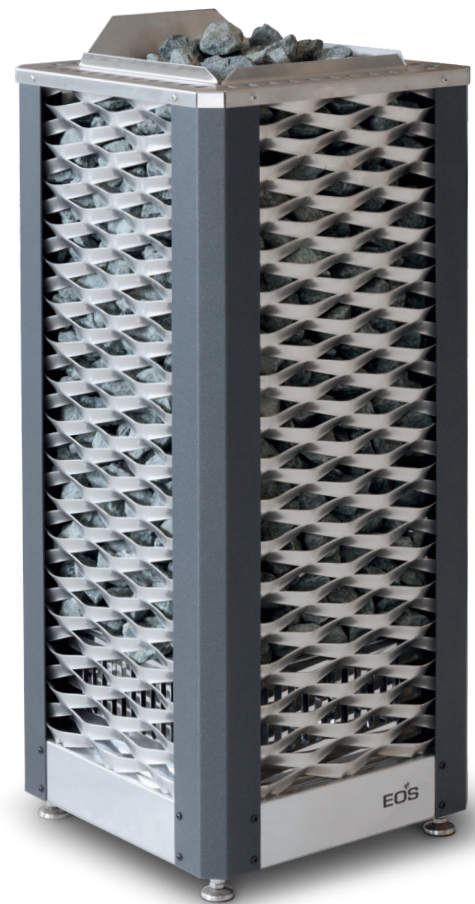
Exclusive sauna heater in distinctive tower design with open rock store. Ideal for placement in front of glass walls or in the centre of the sauna. Specially angled rock store frame prevents stones from falling out for increased safety in use. Improved construction for faster heat-up time.

### Your advantages:

- Distinctive tower design with open rock store.
- Extra large 100 kg rock volume for the perfect „loylu“ effect.
- High safety in use thanks to the unique angled design of the side frame, which prevents stones from falling out.
- Improved inner construction with better air circulation for faster heat-up times.
- Ideal for placement in front of glass or in the centre of the sauna, all sides look alike.
- Made in Germany quality from EOS.

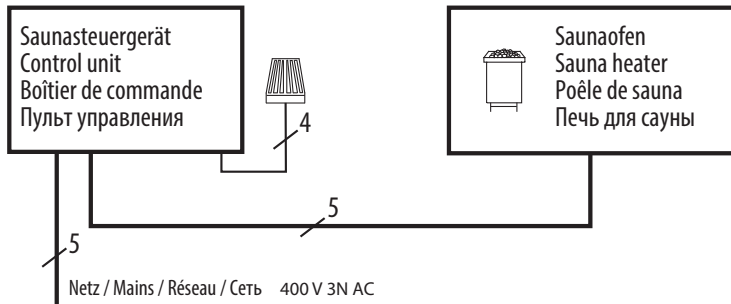
### Specifications:

Corner posts:	Stainless steel with anthracite pearl effect powder coating, scratch resistant
Top:	Brushed stainless steel
Base:	Stainless steel, blank polished
Sides:	Special angled frame, stainless steel
Terminal box:	Stainless steel, integrated in the base
Power range:	9.0, 12.0, 15.0 and 18.0 kW
Power supply:	400 V 3N ~ 50 Hz
Dimensions:	100 x 41 x 41 cm
Rock store volume:	approx. 100 kg (Sauna stones optionally available)
Installation:	Floor-standing

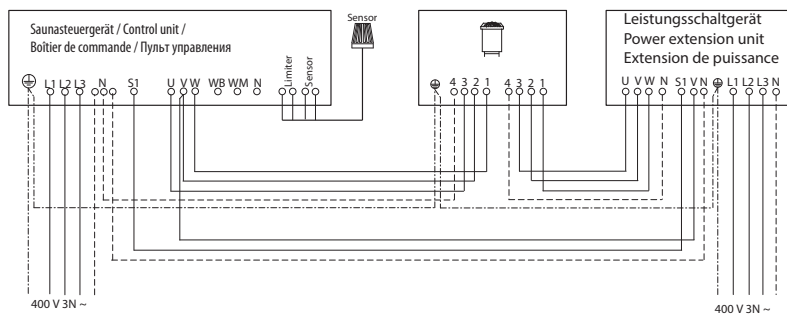


## Connection diagram

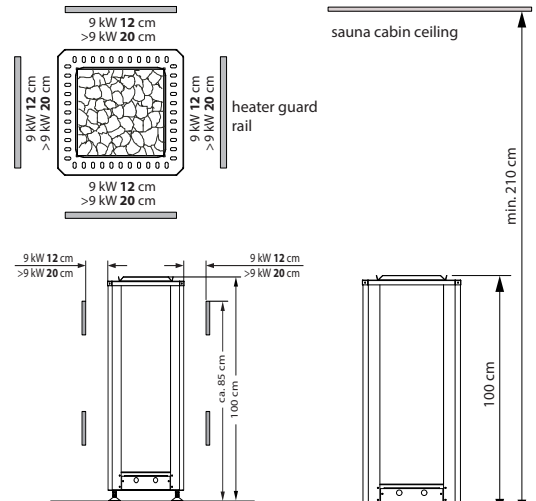
9 kW



12,0 - 18,0 kW



## Minimum clearances



## Suitable control units

### Model

- EOS Econ D series (D1 up to 9 kW)
- EOS Compact D series
- EOS EmoTec D series
- EOS EmoStyle D / Hi series
- EOS EmoTouch 3 series

Für 12 - 18 kW Geräte ist ein Leistungsschaltgerät erforderlich.

## Technical specifications

Power output	Electrical connection	Connection mains - control unit	Connection control unit - heater	Connection mains - LSG	Connection LSG - heater	Connection control unit - LSG unit
9,0 kW	400 V 3N ~ 50 Hz	5 x 2,5 mm <sup>2</sup>	5 x 1,5 mm <sup>2</sup>	--	--	--
12,0 kW				5 x 2,5 mm <sup>2</sup>	5 x 1,5 mm <sup>2</sup>	4 x 1,5 mm <sup>2</sup>
15,0 kW						
18,0 kW						

All cross sections of a line are minimum diameters in mm<sup>2</sup> (copper wire).

## Spare heating elements

Description	Item no.
For 9,0 kW (9 x 1000 W)	2001 0888
For 12,0 kW (8 x 1500 W)	2001 0894
For 15,0 kW (10 x 1500 W)	2001 0894
For 18,0 kW (12 x 1500 W)	2001 0894
Mounting brackets for guard rail	94 5323

Item no.	Power output	Electrical connection	Fuse protection control unit	Fuse protection LSG unit	Dimensions H/W/D, in cm	For sauna cabin size	Min. size of air inlet and outlet	Weight without rocks	Stone filling	Power extension required
945603	9,0 kW	400 V 3N ~ 50 Hz	3 x 16 A	--	100 / 41 / 41	9 - 14 m <sup>3</sup>	300 cm <sup>2</sup>	35 kg	approx. 100 kg	no
945604	12,0 kW			14 - 18 m <sup>3</sup>		LSG 10				
945605	15,0 kW			18 - 25 m <sup>3</sup>						
945606	18,0 kW			24 - 30 m <sup>3</sup>						