



Technical data sheet

EOS Orbit

Sauna heater for commercial saunas. Floor-standing model.

Premium-class sauna heater in distinctive 360° design for the Finnish sauna.

Ideal for placement in front of glass walls or in the centre of the sauna.

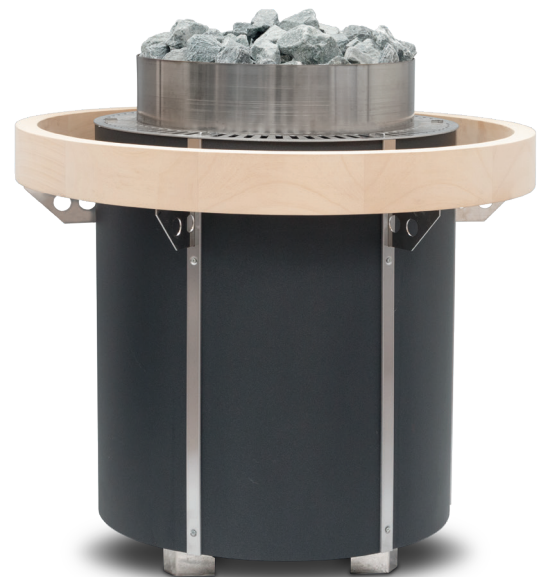
Designed for intensive commercial use.

Your advantages:

- Exclusive 360° design with round-shape housing, anthracite pearl effect powder coating.
- Optimized stainless steel construction with strong air convection performance for fast heat-up times.
- Ideal for placement in front of glass walls or in the centre of the sauna.
- Stylish round-shape guard rail made of solid wood perfectly complements the design (optional accessory).
- Made in Germany quality from EOS.

Specifications:

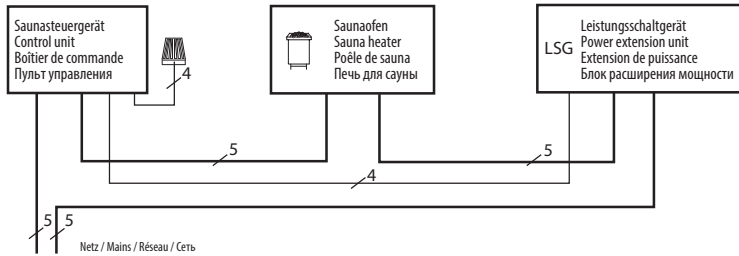
| | |
|--------------------|--|
| Outer shell: | Anthracite pearl effect powder coating |
| Top: | Brushed stainless steel |
| Feet: | Stainless steel |
| Terminal box: | Stainless steel, recessed construction |
| Power range: | 12, 15, 18, 21 and 24 kW |
| Power supply: | 400 V 3N ~ 50 Hz |
| Rock store volume: | approx. 40 kg (Sauna stones optionally available) |
| Dimensions: | Ø 65,5 x 92 cm (guard rail Ø 93,5 cm) |
| Installation: | Floor-standing |



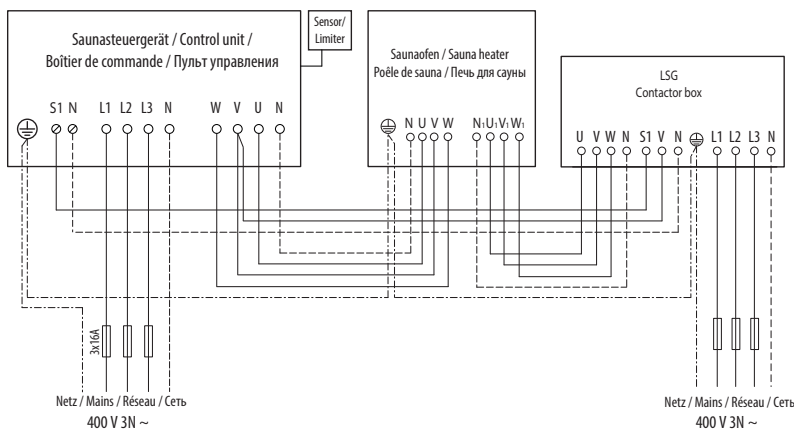
CE EAC UK CA IPx4

Made in Germany 

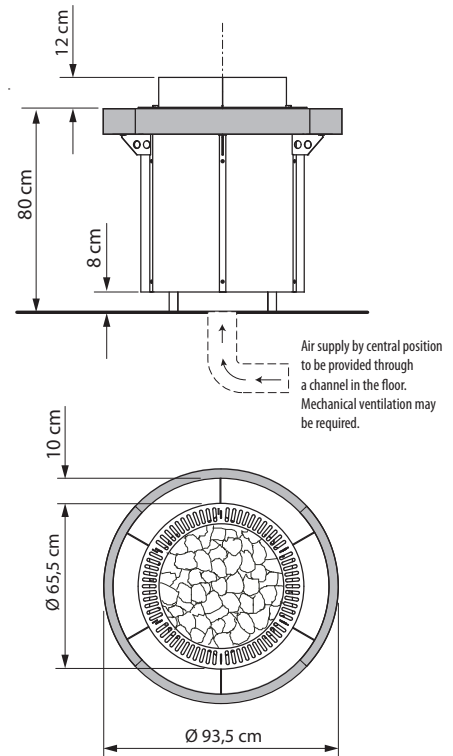
Connection overview



Connection diagram



Dimensions and safety gaps



Min. inner sauna height 210 cm. Safety gap to ceiling min. 130 cm.

Technical specifications

| Power output | Electrical connection | Connection mains - control unit | Connection control unit - heater | Connection mains - LSG | Connection LSG - heater | Connection control unit - LSG unit |
|--------------|-----------------------|---------------------------------|----------------------------------|-------------------------|-------------------------|------------------------------------|
| 12 kW | 400 V 3N ~ 50 Hz | 5 x 2,5 mm ² | 5 x 1,5 mm ² | 5 x 2,5 mm ² | 5 x 1,5 mm ² | 4 x 1,5 mm ² |
| 15 kW | | | | | | |
| 18 kW | | | | | | |
| 21 kW | | | | 5 x 6 mm ² | 5 x 6 mm ² | |
| 24 kW | | | | | | |

All cross sections of a line are minimum diameters in mm² (copper wire).

Spare heating elements

| Heater power | Power | Qty | Item no. |
|--------------|--------|-----|-----------|
| 12,0 kW | 3000 W | 4 | 2001 2967 |
| 15,0 kW | | 5 | |
| 18,0 kW | | 6 | |
| 21,0 kW | | 7 | |
| 24,0 kW | | 8 | |

| Item no. | Power output | Electrical connection | Fuse protection control unit | Fuse protection LSG unit | Dimensions in cm | For sauna cabin size | Min. size of air inlet and outlet | Weight without rocks | Stone filling | Power extension | Suitable sauna control units |
|----------|--------------|-----------------------|------------------------------|--------------------------|------------------|------------------------|-----------------------------------|----------------------|---------------|-----------------|---|
| 94 6419 | 12,0 kW | 400 V 3N ~ 50 Hz | 3 x 16 A | 3 x 16 A | Ø 65,5 x 92 | 14 - 18 m ³ | 50 x 6 cm | ~ 54 kg | ~ 40 kg | LSG 10 | Econ series, Compact series EmoTec series, EmoStyle series, EmoTouch series |
| 94 6420 | 15,0 kW | | | | | 18 - 25 m ³ | 50 x 6 cm | | | | |
| 94 6421 | 18,0 kW | | | | | 24 - 30 m ³ | 50 x 8 cm | | | | |
| 94 6422 | 21,0 kW | | | 30 - 34 m ³ | | 50 x 8 cm | ~ 55 kg | | | | |
| 94 6423 | 24,0 kW | | | 35 - 40 m ³ | | 50 x 10 cm | | LSG 18 | | | |