



EOS Mega S HD

High-power sauna heater for heavy-duty commercial operation.

High-performance sauna heater with 36 - 48 kW power by only as little as 0.72 m² footprint.

Specially designed for themed & event commercial saunas. Stainless steel body and special copper rails as standard inner wiring make the Mega S HD perfectly suitable for saunas with particularly intensive use.

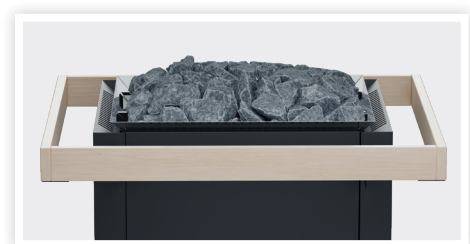
Floor-standing model for dry (Finnish) sauna operation.

Your advantages:

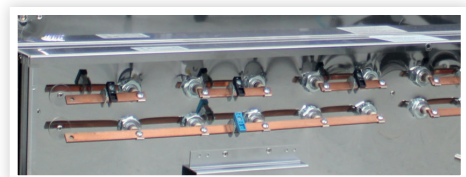
- Contemporary, timeless design with uniform appearance on all sides. No typical "rear side". Connections at the bottom. Great for installation in front of glass or central position.
- Construction specially designed for very large event-saunas with intensive commercial operation and "Aufguss" ceremonies.
- Expertly engineered, reinforced construction made of top-quality stainless steel. Inner wiring made of special solid copper rails.
- Optimized rock store design with improved air convection for reliable heating performance and powerful "Aufguss" events.
- Rock store separated from heating elements for stable air flow. The unique EOS V-profiles ensure more effective and complete water evaporation and re-heating of the sauna stones.
- Made in Germany quality from EOS.

Specifications:

Outer shell:	Stainless steel, anthracite finish
Rock store:	Stainless steel
Terminal box:	Stainless steel, recessed design
Power range:	36.0 kW / 42.0 kW / 48.0 kW
Power supply:	400 V 3N ~ 50 Hz
Dimensions (HxWxD):	100 x 90 x 80 cm
Rock store volume:	approx. 95 kg, Grain size 100-150 mm (Sauna stones optionally available)
Installation:	Floor-standing

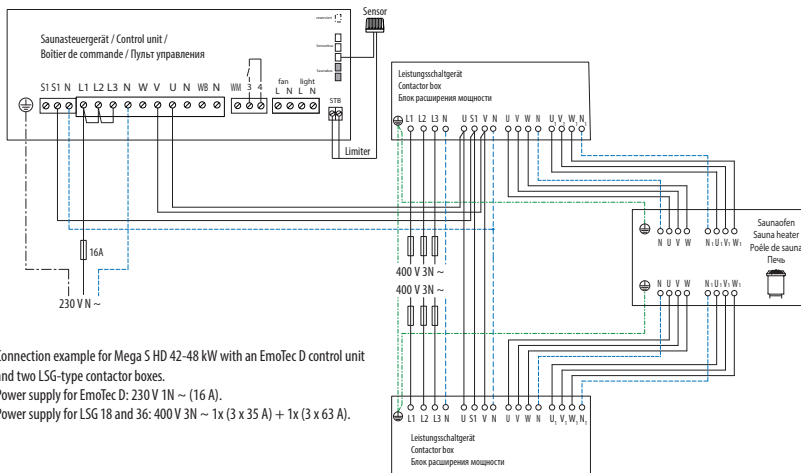


For great aufguss events and best performance: 95 kg stone compartment with the unique V-profiles constructions ensures stable air convection and optimal water evaporation. Robust heater guard rail optional.



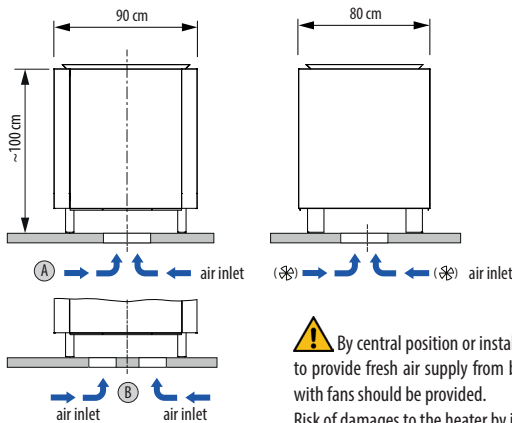
For reliability and long service life: robust, durable solid copper busbars as inner wiring are standard in all models.

Connection overview

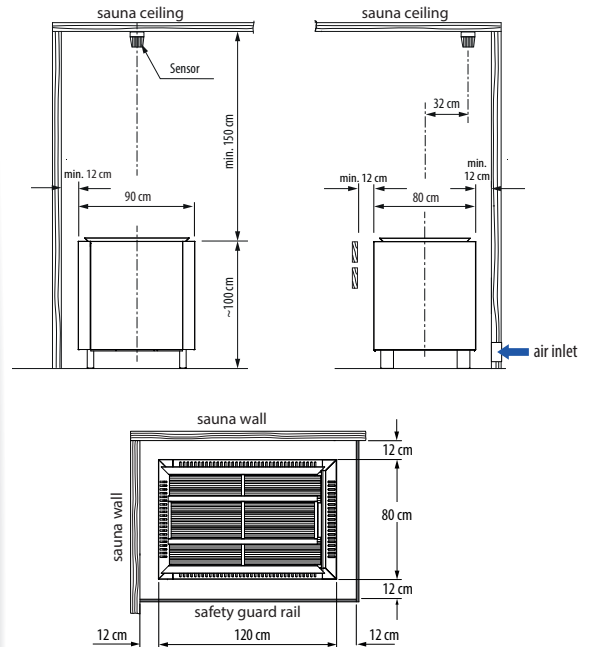


Connection example for Mega S HD 42-48 kW with an EmoTec D control unit and two LSG-type contactor boxes.
 Power supply for EmoTec D: 230 V 1N ~ (16 A).
 Power supply for LSG 18 and 36: 400 V 3N ~ 1x (3 x 35 A) + 1x (3 x 63 A).

Installation hints - air supply



Minimum clearances



Optional accessories

Safety guard rail brackets	94 7183
Safety guard rail (abachi) with brackets	94 7184
Safety guard rail (walnut) with brackets	94 7185

Specifications

Power output	Fuse protection control unit	Fuse protection LSG unit	Connection mains - controller	Connection mains - LSG	Connection LSG - heater	Connection controller - LSG
36.0 kW	3 x 16 A	3 x 63 A	3 x 1,5 mm ²	5 x 16 mm ²	4 x (5 x 2,5 mm ²)	4 x 1,5 mm ²
42.0 kW	1 x 16 A	3 x 35 A		5 x 6 mm ²	2x (5 x 4 mm ²) &	
48.0 kW		3 x 63 A		5 x 16 mm ²	2x (5 x 6 mm ²)	

All cross sections of a line are minimum diameters in mm² (copper wire).

Suitable control units

Model
EOS Econ D series (from Econ D2 to D4)
EOS Compact D series
EOS EmoTec D series
EOS EmoStyle D / Hi series
EOS EmoTouch 3 series

Item no.	Power output	Electrical connection	Dimensions H x W x D	For sauna cabin size	Min. size air inlet and outlet	Weight without rocks	Stone filling, caliber	Power extension required
94 8094	36.0 kW	400 V 3N ~ 50 Hz	100 x 90 x 80 cm	60 - 75 m ³	50 x 10 cm	~ 110 kg	ca. 95 kg, 100-150 mm	1x LSG 36
94 8045	42.0 kW			65 - 80 m ³	50 x 12 cm	~ 111 kg		1x LSG 18 + 1x LSG 36
94 8044	48.0 kW			70 - 90 m ³	60 x 12 cm	~ 112 kg		