



World's most powerful
electric sauna heater

EOS Mega HD

High power sauna heater for heavy-duty commercial operation.

Currently the world's most powerful electric sauna heater. Specially designed for themed & event commercial saunas. Copper rails as standard inner wiring make the Mega HD perfectly suitable for saunas with particularly intensive use.

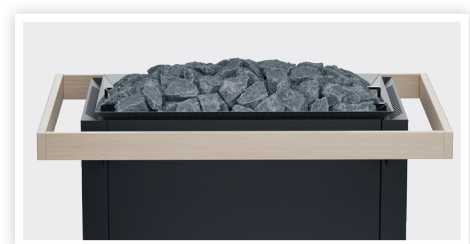
Floor-standing model for dry (Finnish) sauna operation.

Your advantages:

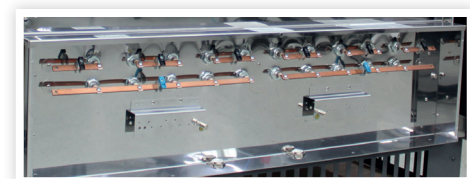
- Unique power range from 42 to 72 kW at only 0.96 m² space.
- High-performance heater for heavy-duty commercial use with the internal wiring as massive copper rails.
- Expertly engineered, reinforced construction made of top-quality stainless steel.
- Optimal relation between stone volume and air convection ability for fast heat-up times and powerful water splashes.
- Rock store separated from heating elements for stable air flow. With unique EOS-designed V-shape profiles to ensure effective and complete evaporation by intensive water splashes.
- Contemporary, timeless design with uniform appearance on all sides. No typical "rear side". Connections at the bottom.
- Great for position in front of glass or in the centre of the sauna.
- Made in Germany quality from EOS.

Specifications:

Outer shell:	Stainless steel, anthracite finish
Rock store:	Stainless steel
Terminal box:	Stainless steel, recessed design
Power range:	42, 48, 54, 60 and 72 kW
Power supply:	400 V 3N ~ 50 Hz
Dimensions (HxWxD):	100 x 120 x 80 cm
Rock store volume:	approx. 120 kg (Sauna stones optionally available)
Installation:	Floor-standing

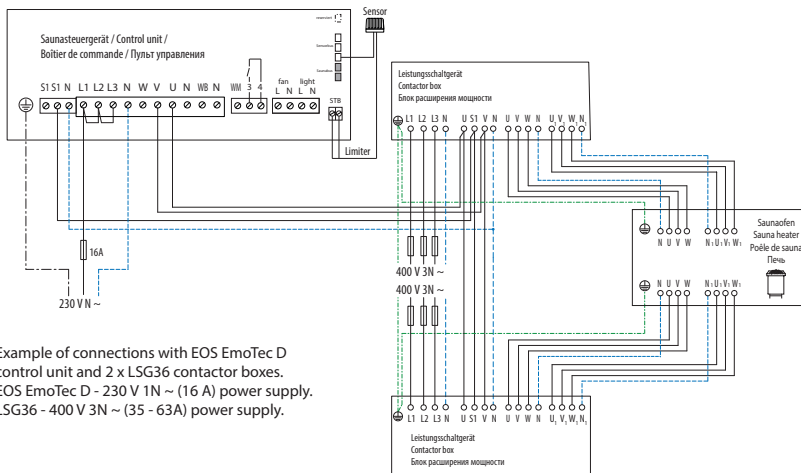


Robust heater guard rail optional

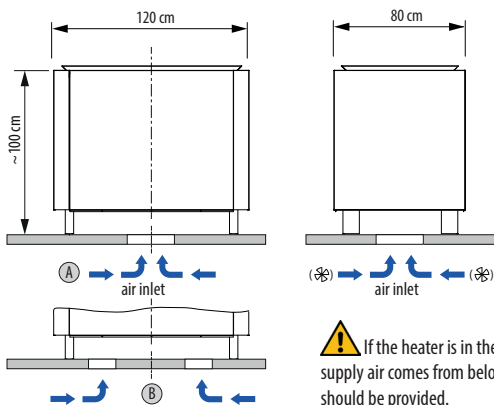


Terminal box of Mega HD: Heavy-duty version with the internal wiring as massive copper rails

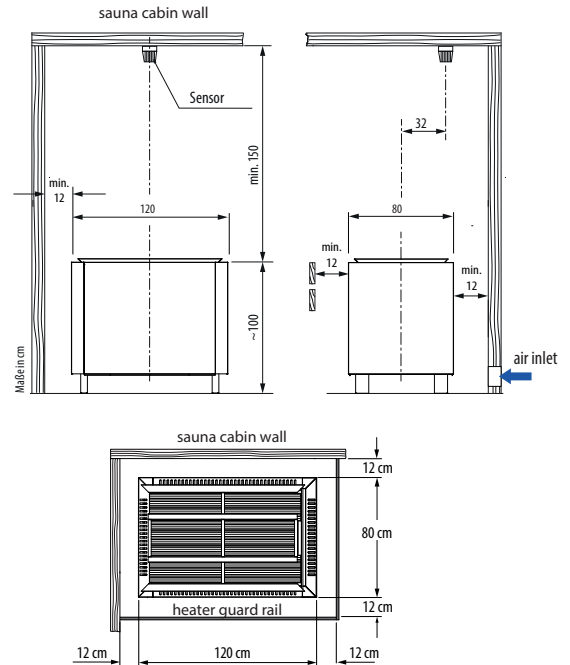
Connection overview



Example of connections with EOS EmoTec D control unit and 2 x LSG36 contactor boxes. EOS EmoTec D - 230 V 1N ~ (16 A) power supply. LSG36 - 400 V 3N ~ (35 - 63A) power supply.



Minimum clearances



Optional accessories

Guard rail brackets	94 7183
Brackets and wooden frame (Abachi)	94 7184
Brackets and wooden frame (Walnut)	94 7185

Suitable control units

Model	Item no.
EOS Econ D2	94 6138
EOS Econ D3	94 6140
EOS Econ D4	94 5842
EOS Compact D series	
EOS EmoTec D series	
EOS EmoStyle D / Hi series	
EOS EmoTouch 3 series	

Technical specifications

Power output	Electrical connection	Fuse protection control unit	Fuse protection LSG unit	Connection mains - control unit	Connection LSG - heater	Connection control unit - LSG unit
42.0 kW	400 V 3N ~ 50 Hz	1 x 16 A	1x (3 x 35 A) 1x (3 x 63 A)	3 x 1,5 ²	2x (5 x 4 mm ²) & 2x (5 x 6 mm ²)	4 x 1,5 mm ²
48.0 kW						
54.0 kW			2x (3 x 35 A) 2x (3 x 63 A)		4x (5 x 6 mm ²)	
60.0 kW						
72.0 kW						

All cross sections of a line are minimum diameters in mm² (copper wire).

Item no.	Power output	Electrical connection	Dimensions H/W/D, in cm	For sauna cabin size	Min. size air inlet and outlet	Weight without rocks	Stone filling Grain size	Power extension required
94 7735	42.0 kW	400 V 3N ~ 50 Hz	100 x 120 x 80	65-80 m ³	50 x 12 cm	112 kg	approx. 120 kg 100-150 mm	1x LSG 18 & 1x LSG 36
94 7736	48.0 kW			70-90 m ³	60 x 12 cm	114 kg		
94 7737	54.0 kW			80-100 m ³	70 x 12 cm	116 kg		
94 7738	60.0 kW			100-130 m ³	70 x 12 cm	118 kg		
94 7739	72.0 kW			130-160 m ³	80 x 12 cm	120 kg		