



EOS Herkules XL S120

Sauna heater for commercial saunas. Floor-standing model.

Floor-standing sauna heater for the Finnish (dry) sauna. The unique double rock store ensures excellent heat storage capacity and allows frequent water splashes. The rock store is placed above the heating elements for easy servicing and improved air convection

Your advantages:

- Exclusive, rich in contrast design with brushed stainless steel front and anthracite pearl effect coated side panels.
- Durable construction. Completely made of stainless steel.
- Also available with elegant matt black finish.
- Double rock store for excellent heat storage and powerful water infusions. With essence & herbs holder.
- Slim design, only 53 cm depth.
- Service-friendly – rock store above heating elements.
- Made in Germany quality from EOS.

Specifications:

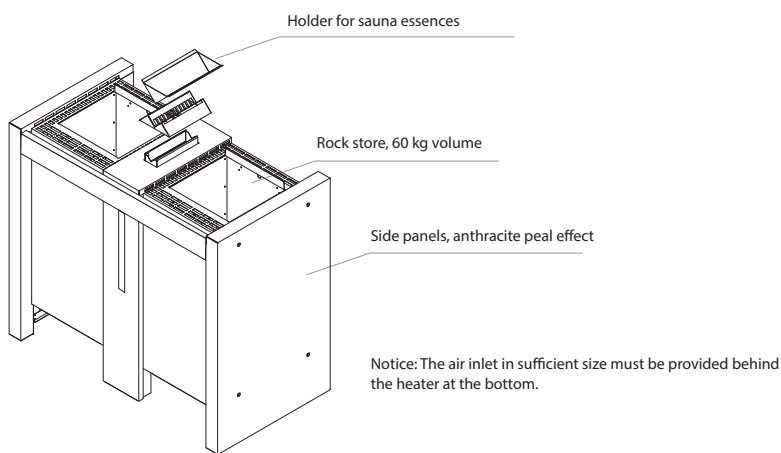
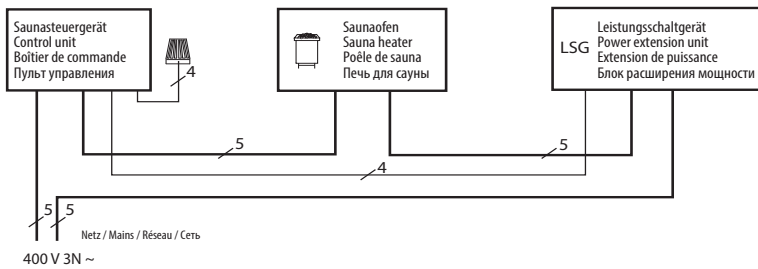
Outer shell:	Anthracite pearl effect powder coated sides, brushed stainless steel front or completely in matt black finish.
Top:	Stainless steel
Rear wall:	Stainless steel, blank polished
Rock store:	Stainless steel, above heating elements
Terminal box:	Stainless steel, recessed in rear wall
Power range:	18.0, 24.0 and 30.0 kW
Power supply:	400 V 3N ~ 50 Hz
Dimensions (H x W x D):	85 x 96 x 53 cm
Stone filling:	2 x 60 kg (Sauna stones optional)
Installation:	Floor-standing



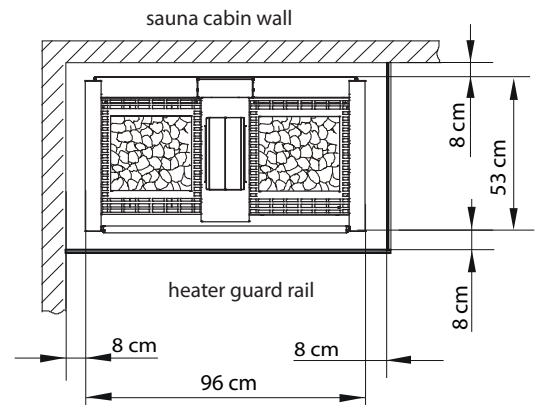
Also available with elegant matt black finish.

Connection diagram

18,0 - 30,0 kW



Minimum clearances



Suitable control units

Model

EOS Compact D series

EOS EmoTec D series

EOS EmoStyle D / Hi series

EOS EmoTouch 3 series

Technical specifications

Power output	Connection mains - control unit	Connection control unit - heater	Connection mains - LSG	Connection LSG - heater	Connection control unit - LSG unit
18,0 kW	5 x 2,5 mm ²	5 x 1,5 mm ²	5 x 2,5 mm ²	5 x 1,5 mm ²	4 x 1,5 mm ²
24,0 kW			5 x 6 mm ²	5 x 4 mm ²	
30,0 kW	3 x 1,5 mm ²	--	5 x 16 mm ²	(2x) 5 x 4 mm ²	

All cross sections of a line are minimum diameters in mm² (copper wire).

Spare heating elements

Description	Item no.
for 18,0 kW (18 x 1000 W)	2001 1599
for 24,0 kW (18 x 1333 W)	2001 1598
for 30,0 kW (18 x 1666 W)	2001 3763

Item no.	Power output	Electrical connection	Fuse protection control unit	Fuse protection LSG unit	Dimensions H/W/D, in cm	For sauna cabin size	Min. size air inlet and outlet	Weight without rocks	Stone filling	Power extension required
94 4276 / 94 7694*	18,0 kW	400 V 3N ~ 50 Hz	3 x 16 A	3 x 16 A	85 / 96 / 53	24 - 35 m ³	50 x 6 cm	85 kg	approx. 2x 60 kg	LSG 10
94 4277 / 94 7695*	24,0 kW			3 x 35 A		35 - 45 m ³	50 x 8 cm			LSG 18
94 4278 / 94 7696*	30,0 kW		1 x 16 A	3 x 63 A		45 - 65 m ³	50 x 10 cm			LSG 36

*matt black finish