



- Exclusive glass front design
- Coloured TFT-display
- Simple, quick installation
- Premium functions
- Made in Germany 

# EOS EmoStyle D

## Advanced premium-class sauna control unit for dry (Finnish) sauna operation.

Advanced sauna control system with glass front display panel, black or white design. Coloured TFT display and separate power unit. For dry (Finnish) sauna operation.

Innovative operating concept allows simple and easy operation. For residential and commercial use.

### Features and advantages:

- Exclusive display panel with full glass front, capacitive buttons.
- Coloured TFT display with modern graphic user interface.
- Fast installation thanks to guided setup.
- Menu navigation with 19 languages.
- Very easy operation, premium class functions.
- Made in Germany quality by EOS

### Specifications and functions:

Control panel:	Glass front slim-size panel, TFT display
Temperature control:	digital two-point regulation, 30 - 115°C
Heating time limit:	6 h, 12 hours or unlimited
Time pre-selection:	24 h in real time or week timer
Temperature limit:	139 °C safety limit
Sensor:	Digital type, incl. 5 m cable
Light control:	230 V, dimmable
Fan control:	230 V, adjustable speed
Switching power:	up to 10 kW (extendable with LSG devices)
Connection:	400 V 3N ~ 50 Hz.
Control panel HxWxD:	132 x 135 x 25 mm
Relay box HxWxD:	270 x 300 x 100 mm
Installation:	Control panel - flush- or surface-mounted, relay box - wall mounted.

#### Relay box

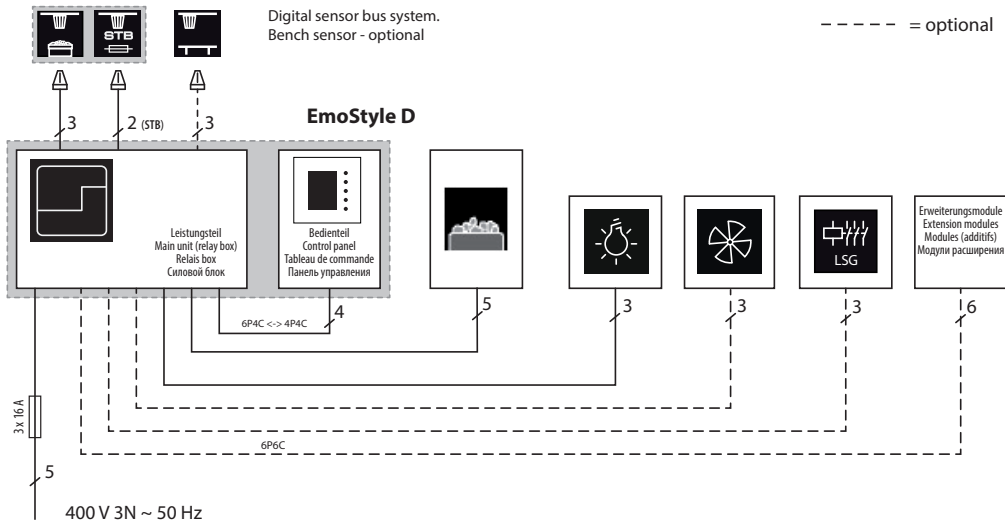
User-friendly design. Connections can be made at the bottom and at the rear side.



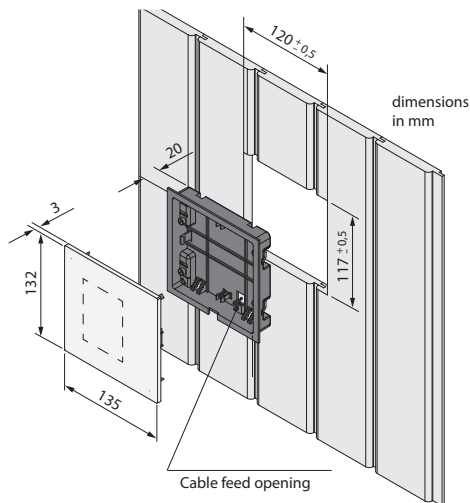
#### Control panel

Flush-mounted or surface-mounted installation. Exclusive glass design, black or white.

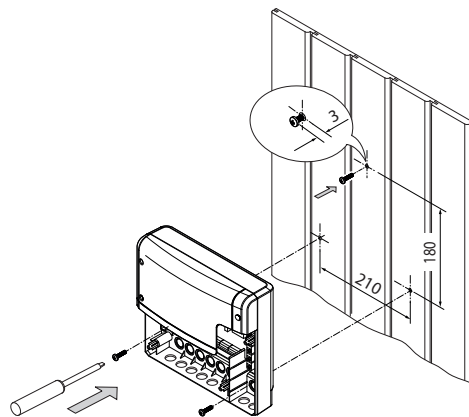
## Connection diagram



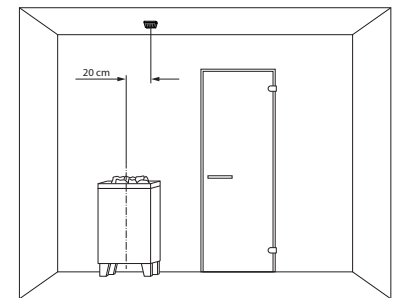
## Mounting the control panel



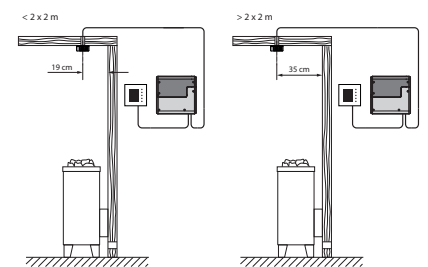
## Mounting the power unit



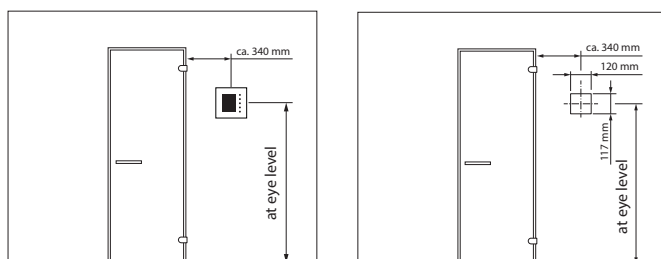
## Mounting the sensor



by sauna cabins:



## Display panel position on the sauna wall



## Specifications

Item no.	Power supply	Power output	Control range	Heating time limitation	Timer	Light output	Fan output	Sensor system	Control panel (HBT)	Load unit (HBT)
94 6316 94 6314	400 V 3N ~ 50 Hz	10 kW (can be expanded with LSG)	30° - 115°C	6 h / 12 h / unlimited	24 h or week timer	230 V, dimmable resistive, capacitive, inductive loads.	230 V / max. 150 W, adjustable	Digital sensor, 5 m cable. Bench sensor - optional	127 x 130 x 25 mm flush- / surface-mounting	270 x 300 x 100 mm wall mounting

## Accessories

Description	Article number
Digital temperature sensor	94 5743
Overheating limiter (STB)	94 5732
Bench sensor (2 <sup>nd</sup> temperature sensor)	94 5725