



EOS Econ H4

Sauna control unit for dry & humid sauna. For commercial saunas.

Electronic sauna control unit with large LCD display with multi-language menu navigation. For dry and humid saunas.

Your advantages:

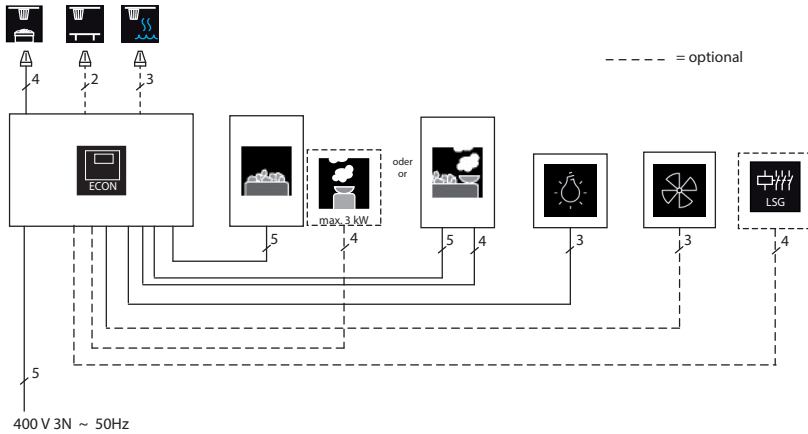
- Large alpha-numeric multi-line LCD display with 12 language menu navigation. All functions at a glance
- Modern, slim housing design, only 67 mm thickness
- Remote switching possible, holiday home mode
- Made in Germany quality from EOS

Specifications and features:

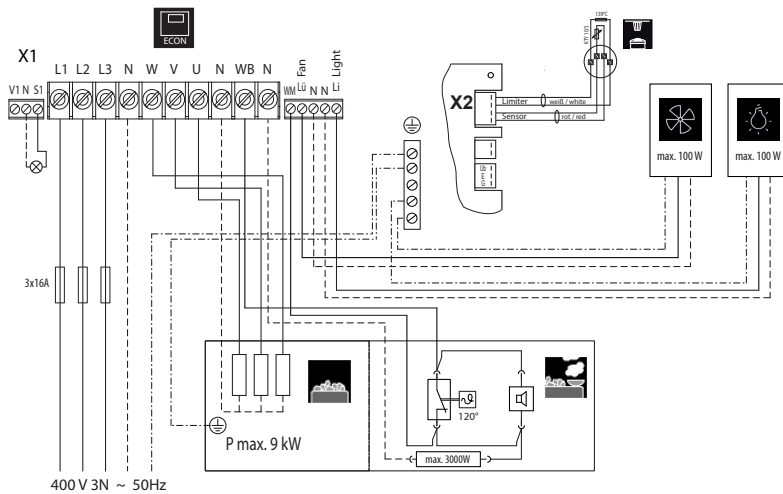
Housing:	plastic, crème-white
Display:	LCD display 65 x 33 mm, multiline, alpha-numeric, with backlighting
Menu navigation:	12 languages (DE, EN, FR, ES, IT, NL, RU, PL, FI, SE, SLO, CZ)
Temperature control:	30 - 115 °C dry mode, 30 - 70 °C humid mode
Humidity control:	proportional (10 steps), or relative humidity control with the optional F2 sensor
Heating time:	6 hours, 12 hours or unlimited
Afterheating:	30 min. after humid operation
Temperature limitation:	142 °C safety overheating limitation
Switching capacity:	up to 9 kW
Power supply:	400 V 3N ~ 50 Hz
Installation:	wall-mounting or semi-recessed
Functions:	Support for 2nd sensor and humidity sensor, Output for cabin lighting (max. 100 W), Output for ventilation fan (max. 100 W), Holiday home mode, remote switching, Child lock (keypad lock), Error messages in clear text, Life-Guard, Data retention by power loss (24 h).



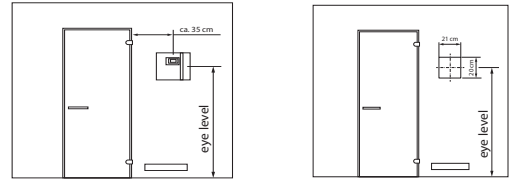
Connection overview



Connection diagram

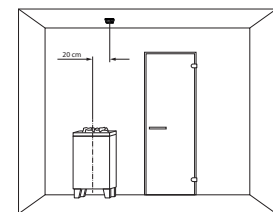


Installation

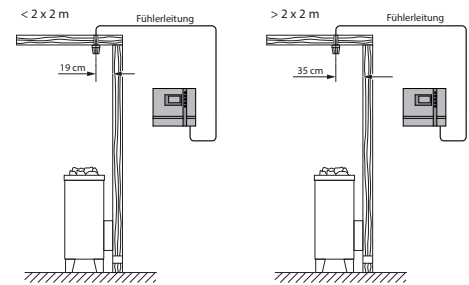


Wall cut-out (aperture) by semi-recessed mounting

Sensor installation



For saunas:



Spare parts and accessories

Description	Item no.
Temperature sensor, 2 m cable	607570
2nd temperature sensor	94 4389
Humidity sensor	90 9479
Remote switch module	94 5782
Button strip	2001 4892
Housing (upper side)	2001 4891
Housing (bottom side)	2001 4890
Display cover 1 (front)	2001 4913
Cover 2 (buttons)	2001 4915
Switch-Off rocker switch	2001 3652

Technical specifications

Item no.	Electrical connection	Switching capacity	Power extension via LSG unit	Temper. control range	Start time pre-selection	Output for light and fan	Heating time limitation	Dimensions H/W/D in cm	Ambient temperature in operation	Weight without packing
94 5843	400 V 3N ~ 50Hz	9,0 kW resistive load, vaporizer max. 3 kW	yes	30 - 115 °C dry mode 30 - 70 °C Bi-O mode	up to 24 hrs	max. 100 W each	6 h, 12 h, ∞ 30 min. afterheating	22 / 25 / 6,7	-10 to +40 °C	1,0 kg

* NOTICE: no fans with motors with capacitor

Druck-Nr.: 29344631 21.23

Technical changes reserved