



Technical data sheet

EOS Econ D4

**Sauna control unit for dry Finnish sauna.
For commercial sauna cabins.**

Electronic sauna control unit with a large LCD display with multi-language menu navigation. For dry sauna heaters.

Your advantages:

- Illuminated large alpha-numeric multiline LCD display
- 12 language menu navigation, all functions visible at a glance
- Variable heating time, 24 h pre-set timer (in real time)
- Limited access (holiday home mode) and remote switching
- Modern, slim housing design, only 67 mm thick
- Made in Germany quality from EOS.

Specifications and features:

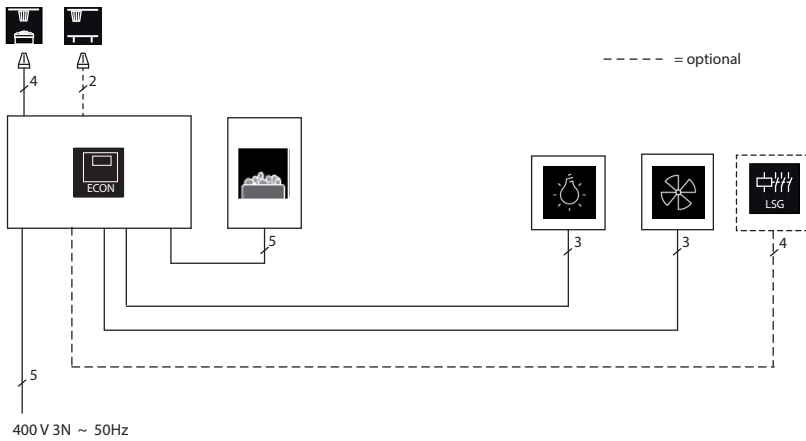
Housing:	plastic, creme-white
Display:	LCD display 65 x 33 mm, multiline, alpha-numeric, with backlighting
Menu navigation:	12 languages (DE, EN, FR, ES, IT, NL, RU, PL, FI, SE, SLO, CZ)
Temperature control:	digital two-point, 30 - 115 °C
Heating time:	6 hours, 12 hours or unlimited
Star time pre-selection:	24 hrs pre-set timer (real time)
Temperature limitation:	142 °C safety overheating limitation
Switching capacity:	up to 9 kW, power extension possible
Power supply:	400 V 3N ~ 50 Hz
Installation:	wall-mounting or semi-recessed
Functions:	Temperature preselection, Support for the 2nd sensor, Control for cabin lighting (dimmable), Control for fan (adjustable speed), Holiday home mode (limited access), Child lock (keypad lock), Error messages in clear text, Life-Guard, Data retention by power loss (24 h)



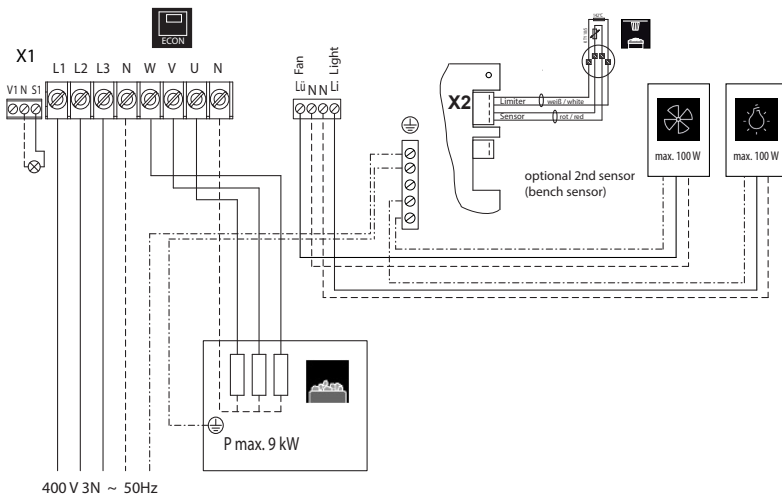



IPx4 Made in Germany 

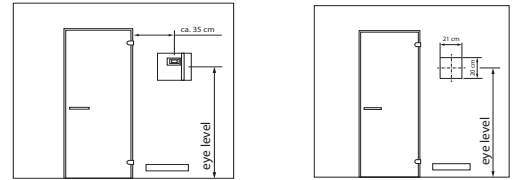
Connection overview



Connection diagram

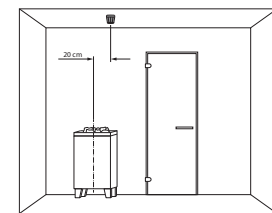


Installation

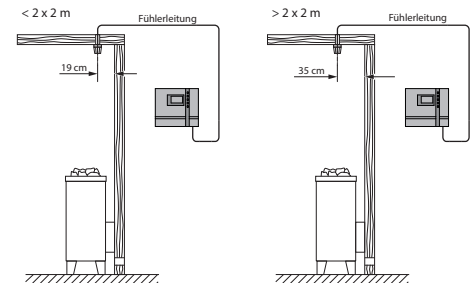


Wall cut-out (aperture) by semi-recessed mounting

Sensor installation



For saunas:



Spare parts and accessories

Description	Item no.
Temperature sensor, 2 m cable	607570
2nd sensor (bench sensor)	94 4389
Button strip	2001 4892
Housing (upper side)	2001 4891
Housing (bottom side)	2001 4890
Display cover 1 (front)	2001 4913
Cover 2 (for button)	2001 4915
Switch-Off rocker switch	2001 3652

Technical specifications

Item no.	Electrical connection	Switching capacity	Power extension via LSG unit	Temperature control range	Start time pre-selection	Cabin light/fan outputs*	Heating time limitation	Dimensions H/W/D in cm	Ambient temperature in operation	Weight without packing
94 5842	400 V 3N ~ 50Hz	9,0 kW resistive load	possible	30 - 115 °C	up to 24 hrs	max. 100 W	6 h, 12 h, ∞	22 / 25 / 6,7	-10 to +40 °C	1,0 kg

* NOTICE: no fans with motors with capacitor