

EOS Cubo 2+

Sauna heater for domestic and commercial saunas. Floor-standing model.

Floor-standing sauna heater for the Finnisch (dry) sauna in straightlined, cubistic design. Thanks to the integrated rear side panel Cubo 2+ is ideal for installation in front of glass walls.

Suitable both for residential and commercial saunas.

Your advantages:

- Very elegant, contemporary design with fully redesigned body and top cover in two stylings.
- Available with classic anthracite or with matt black finish.
- Extra large 45 kg rock store volume.
- Proven, highly durable and long-lasting construction.
- Optimal relation between stone volume and air convection system for fast heat-up times and powerful water splashes.
- Same appearance on all sides thanks to the integrated rear side cover panel in matching finish.
- Easy to service - heating elements without contact to stones. Rock store above the heating block.
- Compact, place-saving size – only 38.5 cm depth.
- Made in Germany quality from EOS.

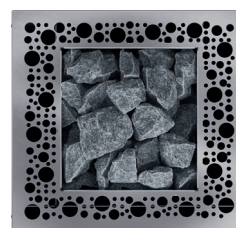
Specifications:

Outer shell:	Anthracite pearl effect or matt black finish
Top:	Stainless steel, brushed or matt black
Rock store:	Stainless steel, above heating elements
Terminal box:	Stainless steel, recessed in rear wall
Power range:	7.5, 9.0, 10.0 and 12.0 kW
Power supply:	400 V 3N ~ 50 Hz
Dimensions (HxWxD):	90 x 40 x 38.5 cm
Rock store volume:	approx. 45 kg (sauna stones optionally available)
Weight:	34 kg
Installation:	Floor-standing



Cubo 2+ Styling 2
matt black finish

Cubo 2+ Styling 1
anthracite finish
with optional safety guard rail, maple wood



Styling 1 – round holes



Styling 2 – structure

360° Look

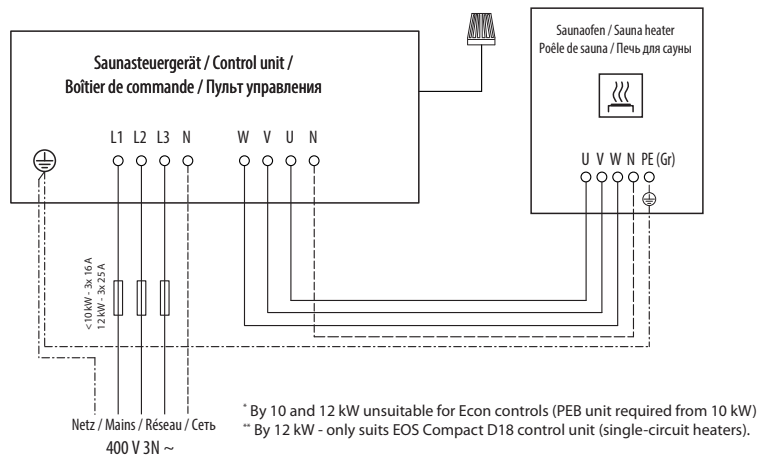


Rear wall cover panel
in matching colour as
standard

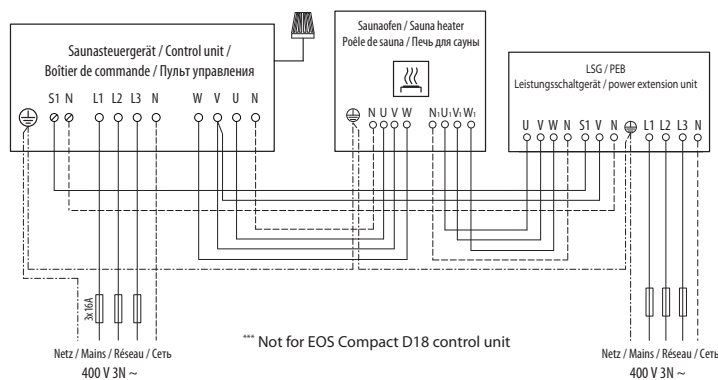
CE UK CA IPx4 made in Germany

Connection diagram

7,5 - 10 kW* | 12 kW**



10 - 12 kW***



Technical specifications

Power output	Electrical connection	Connection mains - control unit	Connection control unit - heater	Connection mains - LSG	Connection LSG - heater	Connection control unit - LSG unit
7.5 kW	400 V 3N ~ 50 Hz	5 x 2.5 mm ²	5 x 1.5 mm ²	--	--	--
9.0 kW						
10.0 kW				5 x 2.5 mm ²	5 x 1.5 mm ²	4 x 1.5 mm ²
12.0 kW						

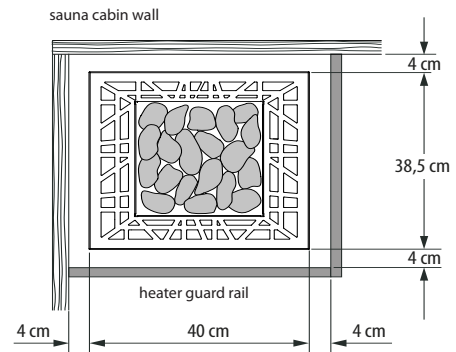
Alle Angaben zu Leitungsquerschnitten sind Mindestquerschnitte in mm² Kupferleitung.

Power output	Electrical connection	Fuse protection control unit	Fuse protection LSG unit	Dimensions H/W/D, in cm	For sauna cabin size	Min. size air inlet and outlet	Weight without rocks	Stone filling	Power extension required
7.5 kW	400 V 3N ~ 50 Hz	3 x 16 A	--	90 / 40 / 38.5	7 - 10 m ³	35 x 5 cm	34 kg	~45 kg	no
9.0 kW					9 - 14 m ³	35 x 6 cm			
10.0 kW					11 - 15 m ³	35 x 6 cm			
12.0 kW					14 - 18 m ³	35 x 7 cm			

Note: By an Compact D18 control unit no additional PEB unit is required. For Econ control units a power extension box is required by 10 and 12 kW. Econ D1 - only for 7.5 and 9 kW models.

** Only for Compact D18 control unit by 12 kW (single-circuit connection).

Minimum clearances



Sauna minimum inner height 190 cm

Suitable control units

Model

EOS Econ D series (D1 up to 9.0 kW)

EOS Compact D series

EOS EmoTec D series

EOS EmoStyle D / Hi series

EOS EmoTouch 3 series

Spare heating elements

Description	Item no.
For 7.5 kW (5 x 1500W)	2000 8085
For 9.0 kW (6 x 1500 W)	2000 8085
For 10.0 kW (6 x 1666 W)	2001 7026
For 12.0 kW (6 x 2000 W)	2000 8086