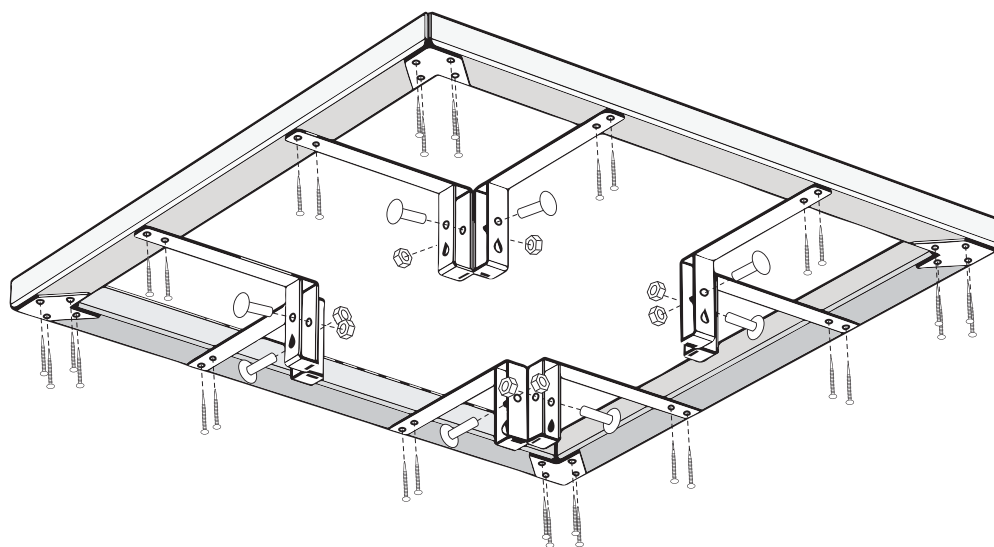


x 8

x 32



Made in Estonia, EU

info@huum.eu
huum.eu
#huumsauna

HUUM OÜ.
Vinkli 2, Tartu,
51014, Estonia

EE Kaitsepiire

- Paigalda kronstein ümber kerise kolme ribi nii, et kronsteini välimine serv puudutab kerise keermelati pead.
- Kinnita kronsteini pooled omavahel poldi ja mutriga. Pinguta polti piisavalt, et kronstein oleks tihedalt ümber kerise ribide.
- Paigalda kõik 8 kronsteini kerisele.
- Ühenda puitprofiilid piirdeks 4 nurga abil.
- Aseta puitpiire kronsteinidele ning kinnitaneed omavahel kruvidega. Piire ongi valmis!

Leia ajakohaseim materjal meie kodulehelt huum.eu

EN Safety Railing

- Place the support around three ribs of the heater in a way that the outer side of the support is in contact with the heater rod head.
- Fix the support's two sides with a bolt and a nut. Tighten the bolt so that the support fits snugly around the heater ribs.
- Place all the 8 supports on the heater.
- Connect wood parts using 4 metal plates.
- Place the wooden railing on the supports and fasten with screws. Well done!

Find the latest updates on our website www.huum.eu