

# HARVIA THE WALL

HSW600400

*Harvia The Wall heater was created with a focus on functionality. Illuminated operating switches, easy installation, and durable structure make The Wall heater versatile in its features.*

## Advantages

- Compact, stylish and reliable heater for medium-sized sauna rooms
- The space-saving heater fits in a great variety of saunas
- Illuminated operating switches
- Option to choose right and lefthanded installation
- Option to integrate heater in the sauna bench



## Features

Main material : Steel

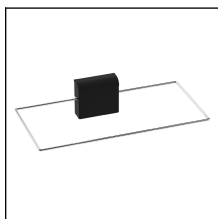
H x W x D : 610.0 x 430.0 x 260.0 mm

Net weight (kg) : 11.7

Installation location : Wall

ID	GTIN	Output (kW)	Sauna room size min - max m3
HSW600400	6410082660261	6 kW	5.0-8.0

## Related products



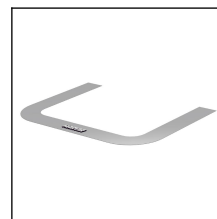
SFE-220400



HSW5



HSW5L



HSW1



HSW5

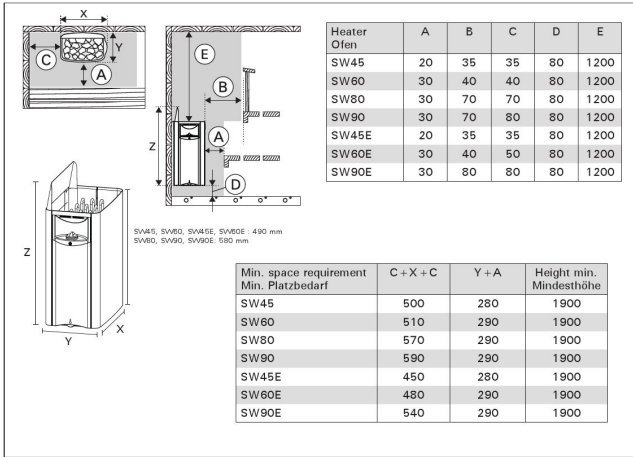
## Spare parts

Product	ID	Pcs
Timer + axel lock	WX641	1
Grid for The Wall heater	ZWA-023	1
Axle, short, The Wall	ZWA-041	1
Timer knob, The Wall	ZWA-011	1
Heating element, The Wall 2000W / 230V	Y10-0015	3
Thermostat/overheating limiter switch	ZSK-520	1
Thermostat knob, The Wall	ZWA-021	1
Wall indicator lights	ZWA-061	1
Axle inlet rubber seal, The Wall	ZWA-022	1
Heating element support part The Wall	ZWA-007	1
Air flow spoiler Wall	ZWA-009	1
Wall mounting bracket, Wall all models	ZWA-058	1

## Technical details

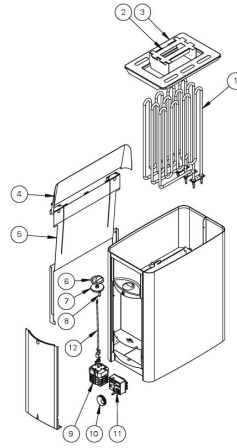
Technical data	Type / attribute	HSW600400
	Color	Stainless Steel
	Power output	6 kW
	Stone sizes	5-10 cm
	Stone amount (kg)	20
Dimensions	Product width (mm)	430
	Product height (mm)	610
	Product depth (mm)	260
	Net weight (kg)	11.7
	Gross weight	13.4
	Package width	460
	Package height	540
	Package depth	264
Safety and installation dimensions	Safety distance front (non-combustible materials)	30
	Safety distance front (combustible materials)	30
	Safety distance right side (combustible materials)	40
	Safety distance right side non-combustible materials	40
	Safety distance left side (combustible materials)	40
	Safety distance left side non-combustible materials	40
	Safety distance side (non-combustible materials)	40
	Safety distance side (combustible materials)	40
	Safety distance (Ceiling) (depends on connections and therefore from output, star/delta)	1200
	Room min. height(depends on connections and therefore from output, star/delta)	1900
	Installation opening height	1900
Installation opening width	510	
Installation opening depth	290	

Technical images

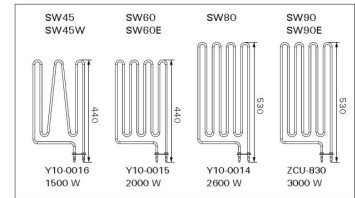


Minimum safety distances (all measurements in millimeters)

30



#	Part number Teil nr.	Name	Pcs St.
1	SW45/E SW60/E SW80 SW90/E	Y10-0016 Y10-0015 Y10-0014 ZCU-830	3
2	ZWA-007	Heater Element 1500W Heizelement Heater Element 2000W Heizelement Heater Element 2600W Heizelement Heater Element 3000W Heizelement	1
3	ZWA-007	Element support Halterung	1
3	ZWA-023 SW E	Grid / Rost Gitter / Rost	1
4	ZWA-009 SW E	Steam guide Schutzblende	1
5	ZWA-058 SW E	Wall mount / Wandhalterung	1
6	ZWA-011	Timer knob Knopf für Zeitschaltuhr	1
7	ZWA-022	Axle inlet rubber seal Gummidurchführung der Achse	1
8	ZWA-081	Indicator lights Kontrollleuchte	1
9	WX641	Clock + start lock washer Zeitschaltuhr + Zahnscheibe	1
10	ZWA-021	Thermostat knob Knopf für Thermostat	1
11	ZSK-520	Thermostat	1
12	SW45 SW60 SW80 SW90	ZWA-041 ZWA-041 ZWA-016 ZWA-016	1 1



We recommend to use only the manufacturer's spare parts.

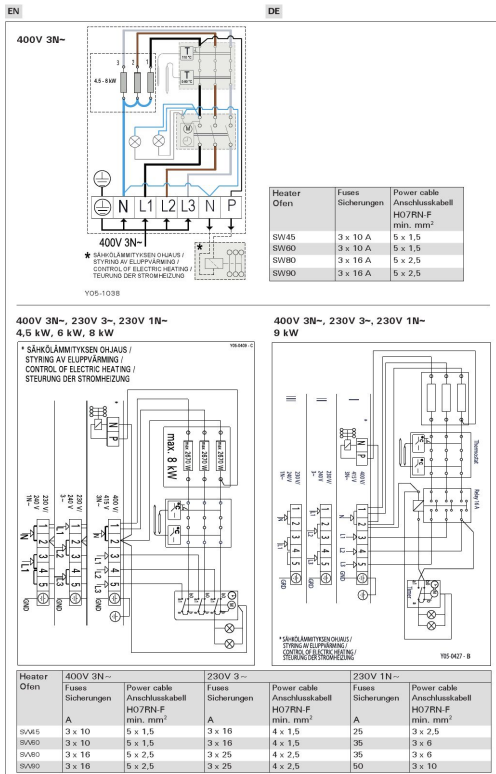


Figure 11a. Electrical connections (SW45, SW60, SW80, SW90)

36