

HARVIA PROFI

HRL300400

The Harvia Profi heater is designed to be a super heater that provides ample steam for large groups from morning till night. The heater is suitable for apartment buildings, hotels, holiday resorts, sports centres and spas etc.



Features

Main material : Steel

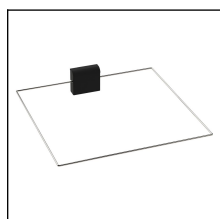
H x W x D : 730.0 x 500.0 x 900.0 mm

Net weight (kg) : 48.4

Installation location : Floor

ID	GTIN	Output (kW)	Sauna room size min - max m3
HRL300400	6410082607471	30 kW	40.0-56.0

Related products



SFE-500500

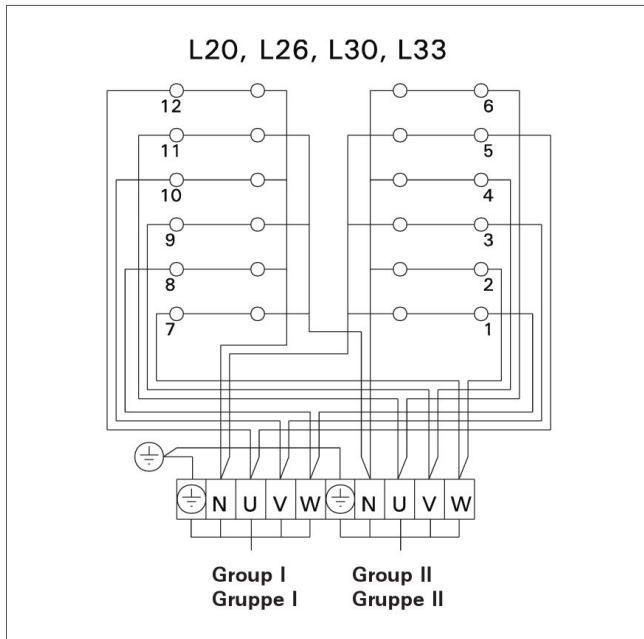
Spare parts

Product	ID	Pcs
Heating element 2500W/230V	ZSL-314	12

Technical details

Technical data	Type / attribute	HRL300400
	Color	Stainless Steel
	Power output	30 kW
	Stone sizes	5-10 cm
	Stone amount (kg)	100
Dimensions	Product width (mm)	500
	Product height (mm)	730
	Product depth (mm)	900
	Net weight (kg)	48.4
	Gross weight	51.8
	Package width	545
	Package height	790
	Package depth	950
Safety and installation dimensions	Safety distance front (non-combustible materials)	100
	Safety distance front (combustible materials)	100
	Safety distance side (non-combustible materials)	200
	Safety distance side (combustible materials)	200
	Safety distance behind (non-combustible materials)	200
	Safety distance (Ceiling) (depends on connections and therefore from output, star/delta)	1500
	Room min. height(depends on connections and therefore from output, star/delta)	2200
	Installation opening height	2230
	Installation opening width	800
Installation opening depth	1200	

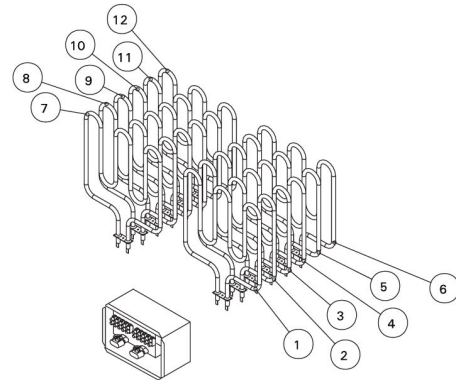
Technical images



**The heater's electrical connections
Elektroanschlüsse des Saunaofens**

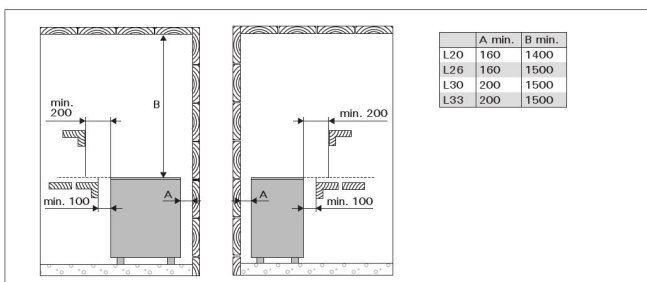
SPARE PARTS

ERSATZTEILE



Model Modell	Heating element/Part no. Heizelement/Teil nr.				
	1750 W/240 V ZSK-732	2000 W/240 V ZSL-313	2500 W/230 V ZSL-314	2670 W/240 V ZSL-316	3000 W/240 V ZSL-318
L20	1-12				
L26		1, 3, 5, 7, 9, 11	2, 4, 6, 8, 10, 12		
L30			1-12	(1-12)	
L33					1-12

We recommend to use only the manufacturer's spare parts.
Es dürfen ausschließlich die Ersatzteile des Herstellers verwendet werden.



Safety distances (all dimensions in millimeters)