

# HARVIA PROFI

HRL200400

The Harvia Profi heater is designed to be a super heater that provides ample steam for large groups from morning till night. The heater is suitable for apartment buildings, hotels, holiday resorts, sports centres and spas etc.



## Features

Main material : Steel

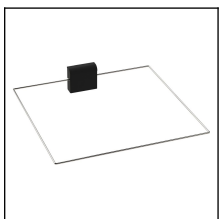
H x W x D : 730.0 x 500.0 x 900.0 mm

Net weight (kg) : 48.0

Installation location : Floor

ID	GTIN	Output (kW)	Sauna room size min - max m3
HRL200400	6410082607402	20 kW	18.0-30.0

## Related products



SFE-500500

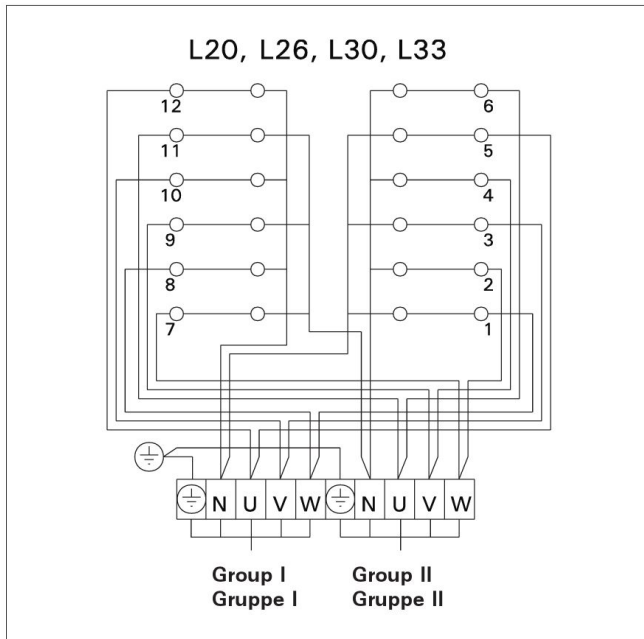
## Spare parts

Product	ID	Pcs
Heating element 1750W/240V	ZSK-732	12

## Technical details

Technical data	Type / attribute	HRL200400
	Color	Stainless Steel
	Power output	20 kW
	Stone sizes	5-10 cm
	Stone amount (kg)	100
Dimensions	Product width (mm)	500
	Product height (mm)	730
	Product depth (mm)	900
	Net weight (kg)	48
	Gross weight	51.4
	Package width	545
	Package height	790
	Package depth	950
Safety and installation dimensions	Safety distance front (non-combustible materials)	100
	Safety distance front (combustible materials)	100
	Safety distance side (non-combustible materials)	160
	Safety distance side (combustible materials)	160
	Safety distance behind (non-combustible materials)	160
	Safety distance (Ceiling) (depends on connections and therefore from output, star/delta)	1400
	Room min. height(depends on connections and therefore from output, star/delta)	2100
	Installation opening height	2130
	Installation opening width	760
Installation opening depth	1160	

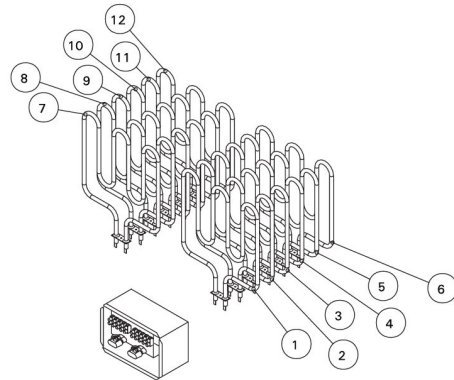
**Technical images**



**The heater's electrical connections**  
**Elektroanschlüsse des Saunaofens**

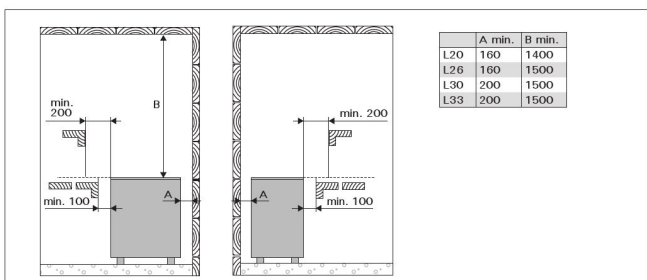
**SPARE PARTS**

**ERSATZTEILE**



Model Modell	Heating element/Part no. Heizelement/Teil nr.				
	1750 W/240 V ZSK-732	2000 W/240 V ZSL-313	2500 W/230 V ZSL-314	2670 W/240 V ZSL-316	3000 W/240 V ZSL-318
L20	1-12				
L26		1, 3, 5, 7, 9, 11	2, 4, 6, 8, 10, 12		
L30			1-12	(1-12)	
L33					1-12

We recommend to use only the manufacturer's spare parts.  
Es dürfen ausschließlich die Ersatzteile des Herstellers verwendet werden.



**Safety distances (all dimensions in millimeters)**