

## Wood burning heater Harvia Legend 300 black

WK300LD

The Harvia Legend wood burning heaters give you the ultimate sauna experience. The black steel frame has a mighty amount of stones inside, and as they heat up, you get a magnificent sauna bath even at a lower temperature. The large number of stones ensures good heat, even if the fire dies down in between.



### Features

Net weight (kg) : 91.4

H x W x D : 1040.0 x 600.0 x 660.0 mm

Stone amount (kg) : 260.0

ID	GTIN	Power	Sauna room size min - max m3
WK300LD	6417659012393	23. kW	14.0-28.0

### Related products



WL100



WL300



WP250LD

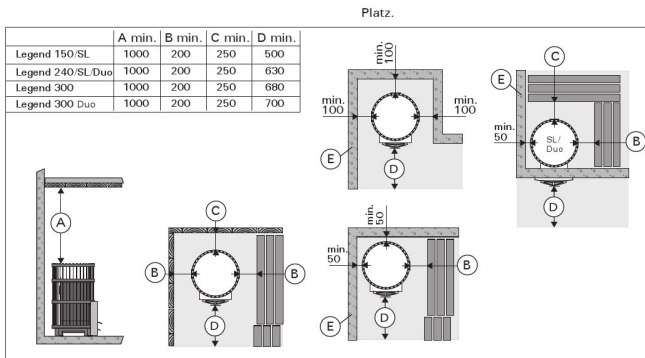
## Spare parts

Product	ID	Pcs
Furnace grate	ZKIP-10	1
Legend 300 steel frame	WX504	1
Stove body Legend 300	ZH1-300LD	1

## Technical details

Technical data	Type / attribute	WK300LD
	Color	Black
	Power output	23. kW
	Stone sizes	10-15 cm
	Stone amount (kg)	260
Dimensions	Product width (mm)	600
	Product height (mm)	1040
	Product depth (mm)	660
	Net weight (kg)	91.4
	Gross weight	95.2
	Package width	670
	Package height	1060
	Package depth	620
Connections	Flue connection locations	Back, Top
	Chimney connection diameter	115
Safety and installation dimensions	Safety distance front (non-combustible materials)	680
	Safety distance front (combustible materials)	680
	Safety distance right side (combustible materials)	200
	Safety distance right side non-combustible materials	100
	Safety distance left side (combustible materials)	200
	Safety distance left side non-combustible materials	100
	Safety distance behind (non-combustible materials)	100
	Safety distance behind (combustible materials)	250
	Safety distance (Ceiling) (depends on connections and therefore from output, star/delta)	1000
Room min. height(depends on connections and therefore from output, star/delta)	2050	

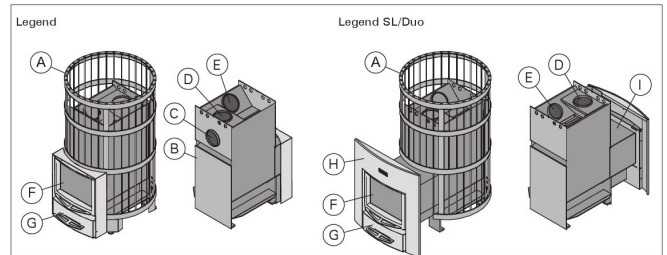
**Technical images**



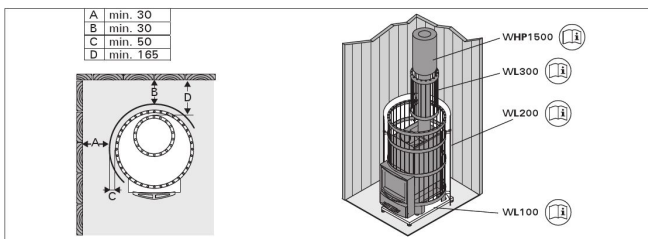
Safety distances (all dimensions in millimeters)

**1.1. Stove Parts**

- A. Steel frame
- B. Stove body
- C. Rear connection opening
- D. Upper connection opening
- E. Soot opening
- F. Stove door
- G. Ash box
- H. Flange (only Legend 240 Duo/300 Duo)
- I. Fire chamber extension



Stove parts. Note! Only use replacement parts recommended by the manufacturer. Unauthorised modification of the stove is prohibited.



Legend Protection Supplies (all dimensions in millimeters)